

Speaker

Model: OSS39-102-38A15W8



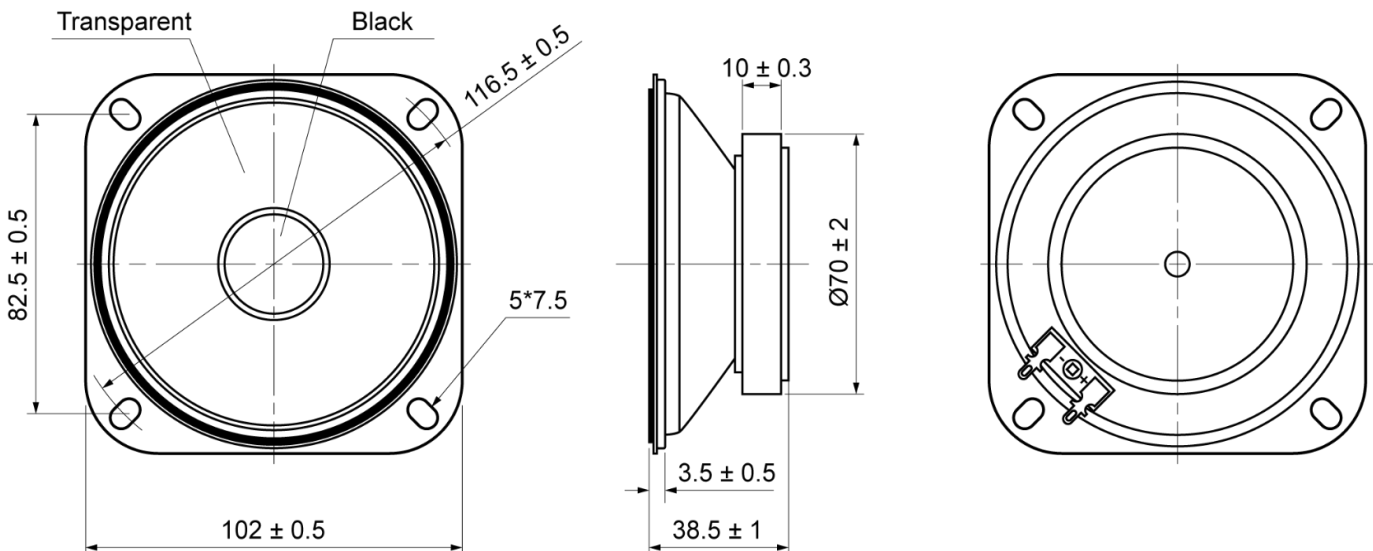
ELECTRICAL SPECIFICATIONS

	Condition	Parameter	Unit
Sound Pressure Level	at 0.1W, 0.1M [at 0.8, 1.0, 1.2, 1.5KHz]	104 ± 3	dB
Impedance	at 1V, 1000Hz	8 ± 15%	Ω
Rated Input Power		15	W
Max Input Power		20	W
Resonant Frequency (Fo)	at 1V	800 ± 20%	Hz
Frequency Range		F0 ~ 5000	Hz
Buzzer & Rattles	not be audible at sine wave between F0 ~ 5KHz	10.95	V
Operating Temperature		-30 ~ 60	°C
Magnet		Ferrite	
Frame Material		Metal	
Cone Material		Mylar (PET)	
Weight		375	g

MECHANICAL DRAWING

Dimensions in mm

Tolerance ±0.5mm Except Specified



Speaker

Model: OSS39-102-38A15W8

FREQUENCY RESPONSE CURVE

